



SOLAER® SB3 AND SB4 PATENTED SOLAR AERATION SYSTEM

The Keeton Industries Solaer series of solar powered lake bed aeration systems are the ideal choice for remote ponds and lakes where power is not available or for an environmentally conscious solution. The SB-3 and SB-4 are effective in aerating ponds and lakes up to 4 surface acres in size. These systems come complete with a high efficiency solar panel, charge control system, battery back-up, EcoFlow energy efficient compressor, high volume cooling fans, programmable digital timer and a fully adjustable aluminum manifold housed in attractive, 100% recycled plastic cabinet. Duraplate self-cleaning, non-clogging membrane diffusers emit millions of tiny bubbles that increase dissolved oxygen levels while eliminating stratification, improving water quality and clarity.



The Cabinet

- 100% recycled plastic cabinet
- 20"W x 36"L x 27" T
- 37cfm cooling blower
- Two - 2 Valve Adjustable Manifolds
- Programmable Digital Timer
- Sound reduction package
- 1" ASTM certified Acoustical Foam
- Charge Control System
- Dual EcoFlow 24V Compressors



The Tubing

- Self-weighted
- 1/2" I.D. with 1/4" sidewalls
- Fishhook resistant
- Will not kink or break
- Available in 100' and 500' lengths
- 15 year warranty



The Diffuser

- Self-cleaning
- Non-clogging
- Self-weighted
- Fishhook resistant
- High Oxygen transfer
- Lifetime warranty

Model	Features
SB-3	3 Diffuser
SB-3B	3 Diffuser & 300' of Tubing
SB-4	4 Diffusers
SB-4B	4 Diffusers & 400' of Tubing

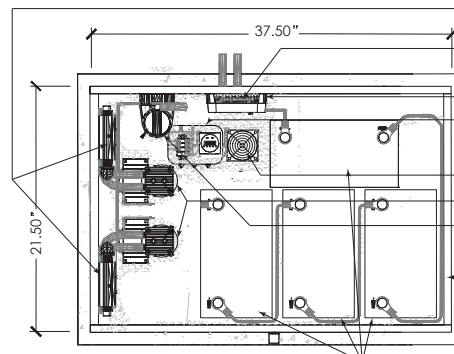
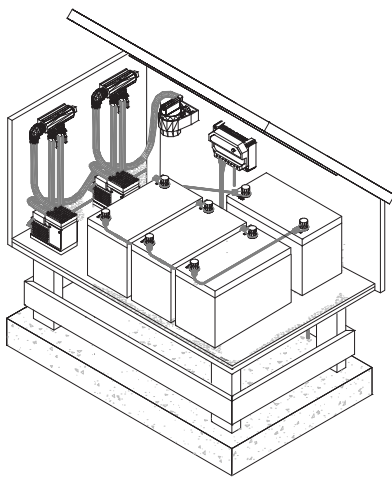


OTHER PONDS AND LAKES ARE GREEN WITH ENVY®

keetonaquatics.com | 800.493.4831 | 970.568.7754

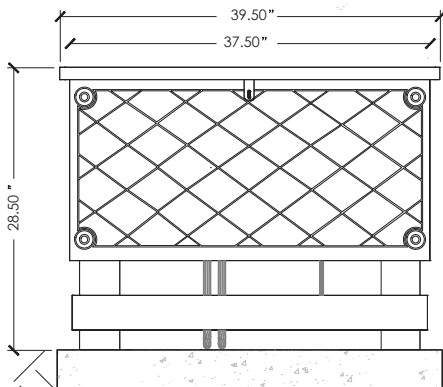


SOLAER® SB3 AND SB4
PATENTED SOLAR AERATION SYSTEM

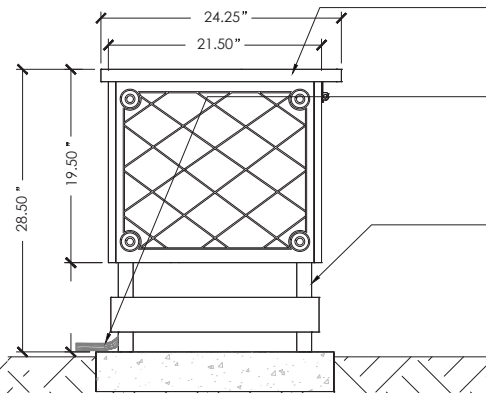


TOP VIEW (SEE SHEET #2)
 NOT TO SCALE

- MODEL FFP-546-2 ANODIZED ALUMINUM MANIFOLD WITH (4) BRASS VALVES WITH BARB OUTLETS.
- SB SERIES AERATION SYSTEM CABINET MADE OF 100% RECYCLED PLASTIC WITH THE DIMENSIONS OF 37.5\" (L) X 21.5\" (W) X 18.5\" (H).
- PROSTAR 30 SOLAR CHARGE CONTROL WITH DIGITAL DISPLAY.
- DIEHL CONTROLS 24 HOUR/ 7 DAY DIGITAL TIMSWITCH SERIES 884. 24V, SPST AND SPDT SWITCHING, 1 CHANNEL, 6.3MM X 0.8MM TAB TERMINAL(S) CONNECTION(S) (COMPLIES WITH DIN 46244).
- COOLING/VENTILATION BLOWER, 37 CFM.
- TWO-24 VAC ECO FLOW COMPRESSOR
- AIR FILTER
- FLOOR OF CABINET, FITTED AND GLUED WITH ACOUSTICAL CONVOLUTED FOAM INSULATION. 1\" ASTM RATED C 423-90A, TO THE NEAREST 0.05 SABINS/FT² WITH A NOISE REDUCTION COEFFICIENT OF 0.40. OSHA APPROVED SOUNDPROOFING AND UL-94 RATING.
- (4) DC115-12 DEEP CYCLE AMG BATTERIES.



FRONT VIEW
 NOT TO SCALE



SIDE VIEW
 NOT TO SCALE

- SB SERIES LINE AERATION SYSTEM CABINET MADE OF 100% RECYCLED PLASTIC WITH THE DIMENSIONS OF 37.5\" (L) X 21.5\" (W) X 18.5\" (H). CABINET LID COVER SECURED WITH PIANO HINGE (BACK) AND LOCKABLE HASP (FRONT).

- (2) AIR OUTLET LINES FROM COMPRESSOR THROUGH CABINET WITH 1/2\" 220 PSI RATED FLEXIBLE BRAIDED VINYL TUBING. EACH FLEXIBLE TUBING OUTLET SHALL BE 4'-0\" LONG AND FITTED WITH ID BARB CONNECTS. ALL AERATION SYSTEMS SHALL BE FURNISHED WITH STAINLESS STEEL 1/2\" WORMDRIVE CLAMPS TO FIT MODEL 67-06-1 TO CONNECT ON SHORE AND TO DURAPLATE(S) (DDP-7) IN LAKE.

- CABINET IS CONSTRUCTED WITH (4) LEGS THAT CAN BE BOLTED TO A CONCRETE SLAB (24\" (L) X 24\" (W) X 4\" (H)).



TITLE: SOLAER AERATION SYSTEM SB 3-4 SERIES - MULTI VIEW	
DATE: 7-29-13	SHEET: 1



OTHER PONDS AND LAKES ARE GREEN WITH ENVY®

keetonaquatics.com | 800.493.4831 | 970.568.7754